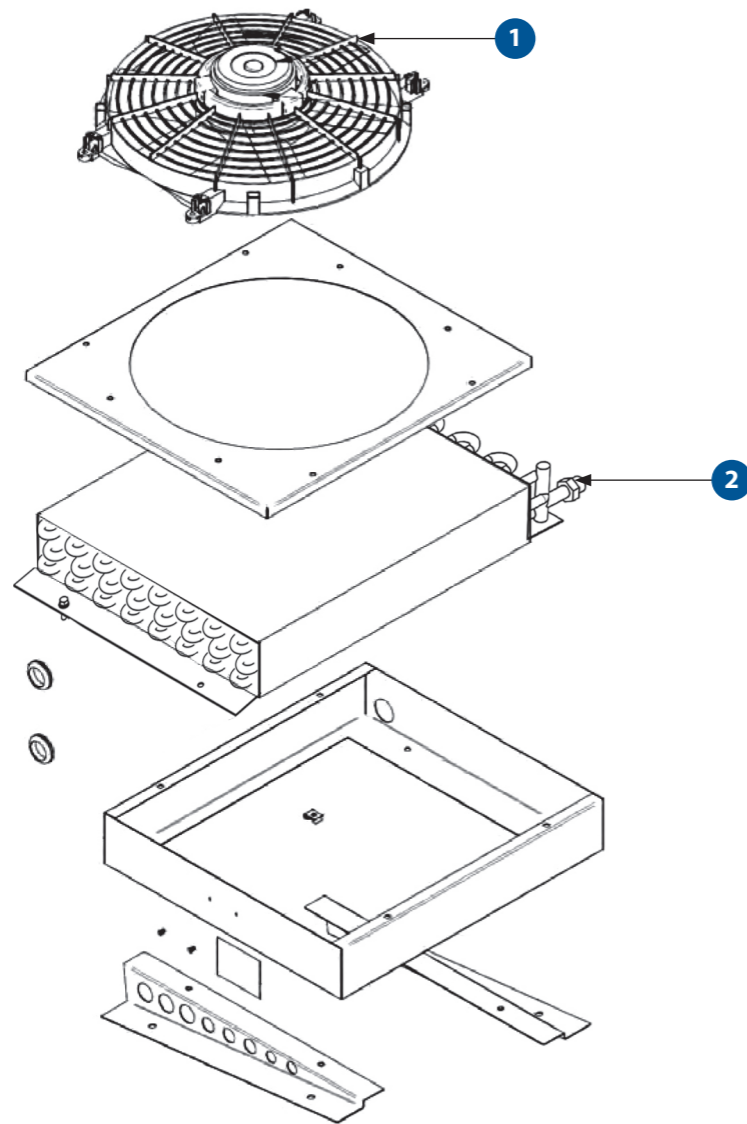


# EC12C

## REMOTE CONDENSER

EC12C2 | EC12C4



## SPARE PARTS

PART NO.	DESCRIPTION	QTY
1 AU420064	FAN AXIAL ASSEMBLY 400MM 12VDC (EC12C2)	1
AU420063	FAN AXIAL ASSEMBLY 400MM 24VDC (EC12C4)	1
2 AU110312	CONDENSER COIL 390MM X 406MM X 66MM 3RW	1
AU110316	CONDENSER COIL 390X406X66 3RW (EC12C4SS)	1

## SPECIFICATIONS

	METRIC	IMPERIAL
<b>Cooling Capacity</b>	4.0 kW	13648 BTU
<b>Fan Speeds</b>	1	1
<b>Power Supply</b>	24V / 12V	24V / 12V
<b>Current Draw</b>	10 A / 20 A	10 A / 20 A
<b>Refrigerant</b>	R134a	R134a
<b>Maximum Ambient Temperature</b>	46°C	115°F
<b>Weight (nominal)</b>	10.0 Kg	22.0 lbs
<b>Technical Manual Reference</b>	SM260-2494	SM260-2494
<b>Dimension L X W X H</b>	600mm X 455mm X 225mm	23.6in X 17.9in X 8.9in

## MAINTENANCE

### ANNUAL / 3,600 HOURS

<b>AU420064</b>	FAN AXIAL ASSEMBLY 400MM 12VDC
<b>AU420063</b>	FAN AXIAL ASSEMBLY 400MM 24VDC

Please contact SIGMA for more information including details on an overhaul scope and interval. Maintenance periods and scope are dependent on application and site conditions, and are to be used as a guide.

## COMPANION ITEMS

PART NO.	DESCRIPTION
<b>EC1214</b>	Internal Wall Evaporator
<b>EC12H4</b>	Hood Liner Evaporator
<b>EFF4BX1</b>	Evaporator
<b>EB9P4X</b>	Pressuriser
<b>HDC150</b>	Hydraulic Compressor
<b>AU2961001</b>	Electric Compressor
<b>AU270306</b>	Engine Driven Compressor
<b>AU270307</b>	Engine Driven Compressor
<b>AU2790311</b>	Engine Driven Compressor
<b>AU270312</b>	Engine Driven Compressor
<b>AU531422</b>	Receiver Drier
<b>KIT25011</b>	Installation Kits

- DRAGLINE & SHOVEL
- DRILL
- EXCAVATOR
- DOZER
- TRUCK
- WHEEL LOADER
- CONSTRUCTION
- UNDERGROUND EQUIPMENT
- INDUSTRIAL
- SMELTERS
- RAIL SPECIAL VEHICLES